

INTELLICODE™

SERIES II TRANSMITTER

INSTRUCTIONS

1 IMPORTANT INFORMATION

USE ONLY WITH **SERIES II** ELECTRONICS.

Older Transmitters and Receivers will not work with these new electronics. There are no Security Code Switches inside the Door Operators, Transmitters and Receivers.

⚠ WARNING



Moving Door can cause serious injury or death.

- **Do Not** install transmitter unless the door operator's **safety reverse** works as required by the door operator's manual.
- Wall control must be mounted in sight of door, at least 5 feet above floor and clear of moving door parts.
- **Keep people clear** of opening while door is moving.
- **Do Not** allow children to play with the transmitter or door operator.

If **safety reverse** does not work properly:

- **Close door then disconnect operator** using the manual release handle.
- **Do Not** use transmitter or door operator.
- Refer to Door and Door Operator Owner's Manuals before attempting any repairs.



Electrical Shock can cause serious injury or death.

- Power cord must be unplugged before attaching any wires.
- Be sure wire ends do not touch each other or other terminals.

If you have questions or if you need a manual, contact the distributor or manufacturer of the operator.

A different Transmitter Code is set at the factory for each **SERIES II** INTELLICODE Transmitter.

2 TO PROGRAM THE RECEIVER

Step 2-1 Locate the Learn Code Button and Radio Signal Indicator on the Power Head Receiver of your Door Operator.

Step 2-2 Press and release the Learn Code Button **Fig. 1**.

- The Radio Signal Indicator will blink approximately 2 times per second.

Step 2-3 Press a Transmitter Button once within 30 seconds.

- The Radio Signal Indicator stays lit - **SOLID**.

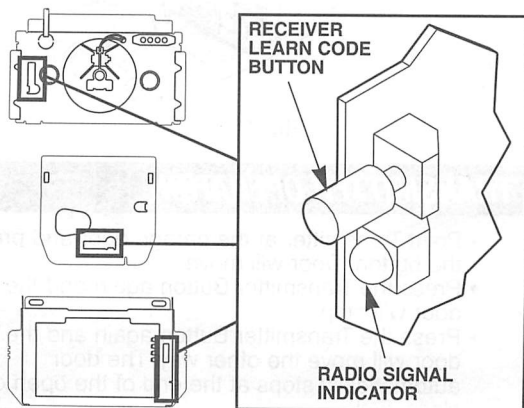


Fig. 1

Step 2-4 Press the same Transmitter Button within 30 seconds.

- Radio Signal Indicator will go out.

NOTE: If a second Transmitter Code is not confirmed within 30 seconds or if a different Transmitter Code is sent, the Radio Signal Indicator will blink approximately 4 times per second, then programming will stop. If programming stops, repeat Steps 2-2 through 2-4.

Step 2-5 Repeat Steps 2-2 through Step 2-4 for each Transmitter, Wireless Keypad or other access device to be learned.

NOTE: A maximum of 7 Transmitter, Wireless Keypad and other access device Codes can be stored into Receiver Memory at one time. If a Transmitter becomes lost or if you want to delete a Transmitter, Wireless Keypad or other access device, proceed to 4 ERASING ALL RECEIVER MEMORY.

NOTE: If you are replacing a lost or stolen Transmitter: (1) Erase ALL Transmitter Codes from the Receiver memory. (2) Reprogram the Receiver with the remaining Transmitters Codes.

3 MULTI-BUTTON TRANSMITTERS

NOTE: Only ONE button of a Multi-Button Transmitter can be programmed into a single Receiver. The other buttons are to control other Door Operators.

4 ERASING ALL RECEIVER MEMORY

Step 4-1 Press and HOLD the Learn Code Button for 10 seconds or until Radio Signal Indicator goes out.

ALL Transmitter Codes are erased from Receiver memory.

Step 4-2 Reprogram the Receiver with the remaining Transmitter Codes (Repeat Steps 2-2 through 2-4).

5 BATTERY / VISOR CLIP INSTALLATION

Step 5-1 Turn Transmitter upside down Fig. 2 .

Step 5-2 Battery replacement (your Transmitter is battery powered).

- Gently push straight IN on Tab as shown Fig. 2
 - use ball point pen, coin or small screwdriver.
 - battery cover snaps open.
- Install new battery in same position, use **EVEREADY** A23, 12 Volt (lighter type).
- Press on battery cover until it snaps closed.

Step 5-3 Attach Visor Clip to Transmitter Fig. 3 .

- Slide Visor Clip into back of case until it snaps into place.

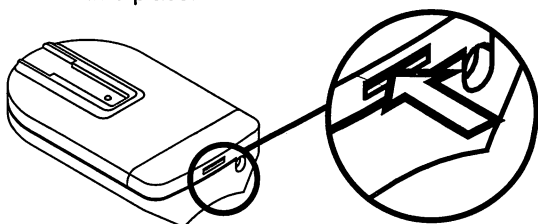


Fig. 2

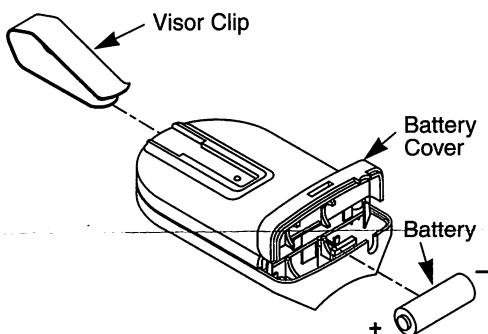


Fig. 3

6 TRANSMITTER OPERATION

- Point Transmitter at the garage door and press the button. Door will move.
- Press the Transmitter Button again and the door will stop.
- Press the Transmitter Button again and the door will move the other way. The door automatically stops at the end of the open or close cycle.

FCC and IC CERTIFIED

This device complies with FCC Part 15 and RSS 210 of Industry Canada. Operation is subject to the following two conditions: (1) This device may not cause harmful interference, and (2) this device must accept any interference, including interference that may cause undesired operation of the device.

Changes or modifications not expressly approved by the manufacturer could void the user's authority to operate the equipment.

**For additional information or help, see Owner's Manual or contact Customer Service:
For GIT and AIT models call 1-800-654-3643.**

**Customer Service
22790 Lake Park Blvd.
Alliance, Ohio 44601-3498**